



LIBERTY'S

Marché Vernaison 93400 ST-OUER - FRANCE

Allée 3/5 Stand 105 Tél : (33) 1 48 82 23 23

<https://www.libertys.com>

" ANNIVERSARY CLOCKS – TORSION CLOCKS "

Setup and Operation:

Pick up the round pendulum, present it under the suspension and hang it with the small part G (Fig.1), as show in the pictures 1 and 2 .

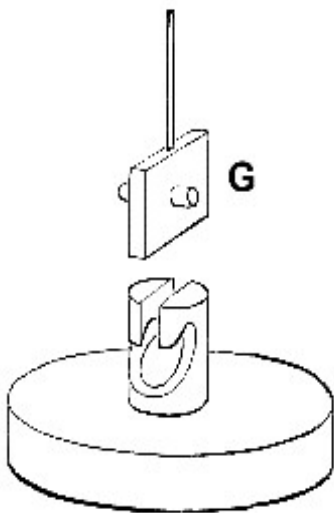


Fig. 1

Then put the clock on a stable and flat base, and hold the pendulum.

Take it delicately and slowly turn it less than a full turn, three quarters about, without shakes and drop it to see if it turns without swinging.

Check if the pendulum carry away the small wheel which is on top of the movement. A tiny sound may confirm that to you.

If this is not the case, immobilize the pendulum and start again with a rotation of one turn maximum.

If your impulsion is too strong, you may damage the wire of the suspension and your clock will not be able to work.

Set-up the time of your clock and close the door or cover your clock with it's glass dome, your clock will run now for a year without being wounded.

If your clock is slow, bring the weights of the pendulum near the center. If it is fast, bring them near the outside. This is done by manipulating the roller wheel situated on the pendulum.

A variance in time of one to three minutes daily should be considered normal due to the sensitivity of the mechanism to fluctuations in temperature and even humidity.

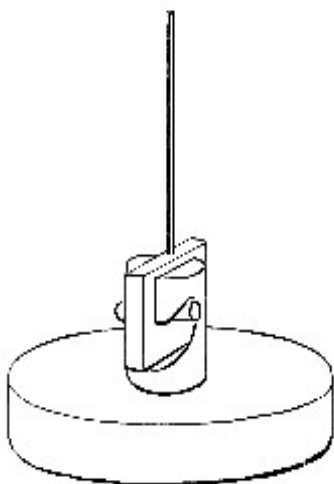


Fig. 2

Observation: It is important that your clock is positioned on a stable and flat base. We suggest that you disassemble, clean and lubricate the movement every ten to fifteen years to prevent premature wear and tear.